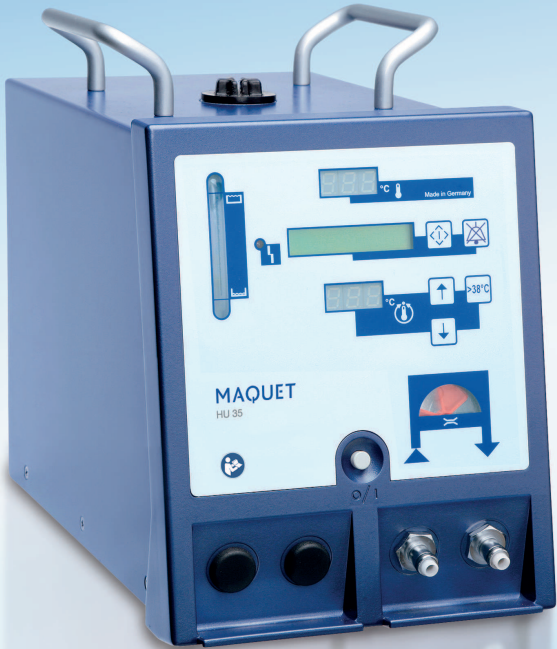


REVISED INSTRUCTIONS FOR USE
CLEANING, DESCALING, DISINFECTION
HEATER UNIT
HU 35

MAQUET
GETINGE GROUP



Copyright

All rights reserved. No part of this publication may be duplicated, adapted or translated without prior written permission, except under the terms of the copyright laws.

© Copyright Maquet Cardiopulmonary GmbH

Subject to technical changes

Owing to our policy of continuous product development, the illustrations and technical data contained in this document may differ slightly from the current version of the device.

Manufacturer

Maquet Cardiopulmonary GmbH

Kehler Straße 31

76437 Rastatt

GERMANY

Phone: +49 7222 932-0

Fax: +49 7222 932-1888

info.cp@maquet.com

www.maquet.com

Table of Contents

English	1	General	6
	2	Surface Cleaning and Disinfecting the Device after Each Use	8
	3	Descaling and disinfection of the water circuit	10
Deutsch	1	Allgemeines	27
	2	Oberflächenreinigung und Desinfektion des Geräts nach jedem Gebrauch	29
	3	Entkalkung und Desinfektion des Wasserkreislaufs	31
Français	1	Généralités	48
	2	Nettoyage des surfaces et désinfection de l'appareil après chaque emploi	50
	3	Détartrage et désinfection du circuit d'eau	52
Italiano	1	Informazioni generali	69
	2	Pulizia e disinfezione delle superfici dell'apparecchio dopo ogni uso	71
	3	Decalcificazione e disinfezione del circuito dell'acqua	73
Español	1	Aspectos generales	90
	2	Limpieza de superficies y desinfección del aparato después de cada uso	92
	3	Descalcificación y desinfección del circuito de agua	94
Português	1	Generalidades	111
	2	Limpeza de superfícies e desinfeção do aparelho após cada utilização	113
	3	Descalcificação e desinfeção do circuito de água	115
Polski	1	Informacje ogólne	132
	2	Czyszczenie powierzchni i dezynfekcja urządzenia po każdorazowym użyciu	134
	3	Odkamienianie i dezynfekcja obiegu wodnego	136
Čeština	1	Všeobecné informace	153

	2	Čištění povrchů a dezinfekce jednotky po každém použití	155
	3	Odvápňování a dezinfekce oběhu vody	157
Nederlands	1	Algemeen	174
	2	Oppervlaktereiniging en desinfectie van het apparaat na elk gebruik	176
	3	Ontkalking en desinfectie van de watercirculatie	178
Dansk	1	Generelt	195
	2	Overfladerengøring og desinfektion af apparatet efter hver brug	197
	3	Afkalkning og desinfektion af vandkredsløbet	199
Svenska	1	Allmänt	216
	2	Yt rengöring och desinficering av apparaten efter varje användning	218
	3	Avkalkning och desinficering av vattencirkulationen	220
Norsk	1	Generelt	237
	2	Overflaterengjøring og desinfeksjon av apparatet etter hver gangs bruk	239
	3	Avkalkning og desinfeksjon av vannkretsløpet	241
Русский	1	Общие сведения	256
	2	Очистка поверхностей и дезинфекция аппарата после каждого применения	258
	3	Удаление накипи из водяного контура и его дезинфекция	260
Türkçe	1	Genel	277
	2	Her kullanımdan sonra cihazın yüzey temizliği ve dezenfeksiyonu	279
	3	Su devresinin kirecinin giderilmesi ve dezenfekte edilmesi	281
Suomi	1	Yleistä tietoa	298
	2	Laitteen pintapuhdistus ja desinfiointi jokaisen käyttökerran jälkeen	300
	3	Vedenkierron kalkinpoisto ja desinfiointi	302
Chinese (simplified)	1	概述	319

2	每次使用设备后进行表面清洁和消毒	 321
3	水路的除垢和消毒	 323

HU 35

1 General

1.1 Information on these revised Instructions for Use

These revised instructions for cleaning, sterilization and disinfection replace chapter 6 "Cleaning and disinfection" of the previous Instructions for Use for the hyperthermia device HU 35.

1.1.1 Validity of these revised Instructions for Use

These revised Instructions for Use for Cleaning, Descaling and Disinfection shall apply until further notice for all instructions for the Heater Unit HU 35.

1.1.2 Symbols

References

References to other pages in these Instructions for Use begin with the arrow sign "⇒".

Action and reaction

The operator's actions are identified with numbered paragraphs "1", while the "▶" symbol identifies the reaction triggered in the system.

Example:

- 1 Switch the light switch on.
 - ▶ The lamp lights up.
- 2 Switch the light switch off.

Buttons and menus

The buttons and menus are shown in square brackets.

Example:

- Press the [DOWN] button in the [Operation] menu.

1.1.3 Definitions



DANGER!

Identifies an immediate, serious risk to people which will result in death or serious injury.

**WARNING!**

Identifies a general, serious risk to people which can result in death or serious injury.

**CAUTION!**

Identifies a possible risk which can result in injury.

NOTICE!

Identifies a possible risk to property which can result in equipment damage and/or data loss.

Structure of the other information

Information concerning events without personal injury or equipment damage is indicated as follows:

NOTE

Additional support and other helpful information.

2 Surface Cleaning and Disinfecting the Device after Each Use



WARNING!

Only use specified liquids and substances with the HU 35.



WARNING!

When cleaning the surfaces of the HU 35 the safety instructions from the cleaning agent manufacturer must be observed.



WARNING!

Pay attention to hand hygiene and protective barriers by routine hand washing and using disposable gloves.



WARNING!

For surface cleaning of the HU 35 housing use a damp cloth.



WARNING!

For surface cleaning of the HU 35 use disinfectants based on aldehydes, amonium components or alcohol only. Avoid the use of phenol derivates.



WARNING!

Switch the HU 35 off and unplug the HU 35 from the external power supply before surface cleaning.



WARNING!

Do not use chemical solvents such as ether or acetone and do not spill anesthetics such as Foram (isoflurane). They can damage the HU 35.



WARNING!

Do not allow liquid to penetrate the HU 35.



WARNING!

If the Hansen connectors at the tubes are not connected to any heat exchanger the couplings shall be connected using the cleaning connector.

Surface cleaning

- 1 Use a cloth moistened with an aqueous alcohol solution (70% ethanol/30% water) or a suitable cleaning solution for sensitive medical devices.
- 2 Clean the device and cables after each use to remove soiling and residual blood.

Surface disinfection

Disinfect the surfaces after each use. You can use the following disinfectants:

- Tosylchloramide sodium (Chloramine T)
- Alcohol (ethanol, isopropyl, 70% by vol.)
- Bacillol (Bode Chemie)
- Buraton 10F (Schülke & Mayr)
- Buraton rapid (Schülke & Mayr)
- Mikrobac forte (Bode Chemie)
- PeraSafe (DuPont)
- Pursept (Merz)

3 Descaling and disinfection of the water circuit

The water circuit of the HU 35 comprises a pump, water tank, couplings and all tubing for the HU 35.

The quick reference guide for routine disinfection does not replace hygiene monitoring. It may be necessary to shorten the interval.

Depending on how contaminated the HU 35 is and the hygienic situation in the hospital, the necessary water quality may not be achieved after routine disinfection, and disinfection must therefore be repeated. If there are atypical *mycobacteria* in the water system, highly effective disinfection must be performed.

Equipment for descaling/disinfection

The following equipment is required for descaling/disinfection:

- Sterile inline filter with a pore size of 0.2 µm
- Personal protective clothing (as specified on the safety data sheet for the descaling/disinfection agent)
 - Chemical-resistant gloves made of nitrile or butyl rubber
 - Dust mask for P2 respiratory protection
 - Protective goggles
 - Laboratory coat

The following equipment is additionally required:

- Canister (chemical-resistant, for example made of polypropylene) with a capacity of at least 10 l.
- Measuring spoon (chemical-resistant)
- Powder funnel (chemical-resistant) for approx. 100 ml
- Scales for weighing the descaling/disinfection agent
- Beaker (chemical-resistant) for approx. 3 l
- Small flat tray (chemical-resistant) for the disinfection of cleaning connectors, approx 190 x 120 x 40 mm (L x W x H) in size



WARNING!

Disinfection and descaling are two separate processes. The processes are no substitute for each other. Do not perform them at the same time.



WARNING!

When descaling and disinfection have to be performed, perform the descaling before disinfection.

**WARNING!**

Only use specified agents for descaling/disinfection.

**WARNING!**

In order to disinfect the HU 35 water circuit use the approved disinfectant Clorina* (active agent: tosylchloramide sodium, known as Chloramine-T) or another chemically identical disinfectant.

**WARNING!**

The disinfectant Clorina* has been tested for use with the HU 35. Other disinfectants may influence the material compatibility. Use of any other, not chemically identical disinfectants is explicitly not allowed.

**WARNING!**

Thoroughly follow the manufacturer's safety instructions for the disinfectant/descaling agent during the disinfection/descaling of the HU 35.

**WARNING!**

Check the water level in the HU 35 water tank. If the water level is too low, fill up the tank to the maximum mark of the water level display.

**WARNING!**

Provide adequate ventilation for the disinfection process. Avoid generation of dust from the disinfectant. Do not breathe in dust from the disinfectant. Avoid contact of the disinfectant with skin, eyes and clothes.

**WARNING!**

Use personal protection equipment (e.g. gloves resistant to chemicals made of Nitrile rubber or Butyl caoutchouc (butyl rubber), dust mask for respiratory protection P2, goggles and a protective lab coat) according to the Safety Data Sheet for the disinfectant/descaling agent.

***Clorina is not TGA Approved**

EN



WARNING!

The system must be checked before descaling/disinfection starts:

- device self test ok
- no leakage in water line or leakage of the device
- water flow ok
- water level in tank ok.



WARNING!

All connected parts, devices, and modules must be firmly and correctly connected. Check the mechanical stability.



WARNING!

Do not kink the tubes. Do not touch the tubes with pointed or sharp objects.



WARNING!

The disinfectant/descaling agent must only be used pre- and postoperatively, never intraoperatively.



WARNING!

During the disinfection/descaling procedure of the HU 35 the heat exchanger must be replaced by a cleaning connector. The disinfectant/descaling agent could damage or contaminate the heat exchanger.



WARNING!

Perform the descaling process every 6 months with a concentration of 2% citric acid in the water system of the HU 35.



WARNING!

If the HU 35 is used regularly, disinfection must be performed every 7 days as well as after each use with 2% Chloramine-T in the water system of the HU 35.



WARNING!

If the HU 35 is out of use, empty it, remove the cap of the water filler neck and store the HU 35 in a dry place.

**WARNING!**

If atypical *Mycobacteria* are present in the water system, perform the high level disinfection process with a concentration of 5% Chloramine-T in the water system of the HU 35.

**WARNING!**

For an effective descaling/disinfection, the required amount of descaling agent/disinfectant has to be determined depending on the tubing lengths connected to the HU 35.

**WARNING!**

The results of hygienic vigilance microbiological monitoring shall be used to determine the appropriate disinfection concentration required for each HU 35.

**WARNING!**

The re-commissioning of the device shall only be performed by accompanied regular hygienic monitoring.

**WARNING!**

Use a sterile inline-filter with 0.2 µm porosity for filling the HU 35 with water.

**WARNING!**

The HU 35 tank shall be filled with soft sterile filtered water. Do not use deionized water.

**WARNING!**

The HU 35 tank shall be filled with sterile filtered water with a water hardness of ≤ 14 °dH (2.5 mmol/l CaCO₃). Do not use deionized water.

**WARNING!**

De-air the system to achieve an even distribution of the disinfectant/descaling agent in the water system.

**WARNING!**

After the descaling/disinfection procedure, rinse the device 3 times to remove residual descaling agent/disinfectant.

EN



WARNING!

If the Hansen connectors at the tubes are not connected to any heat exchanger the couplings shall be connected using the cleaning connector.

3.1 Descaling Process for HU 35

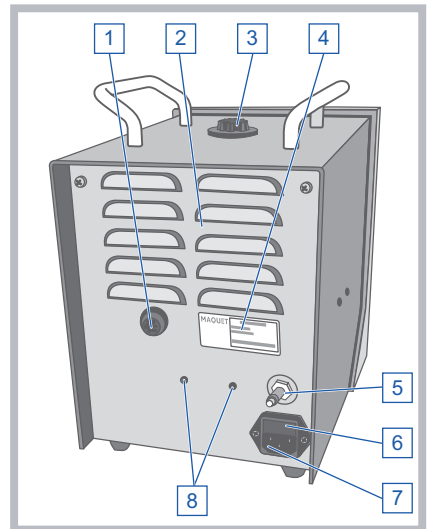
The descaling process is performed every 6 months with a concentration of 2% citric acid in the complete water volume of the HU 35.

Perform the following steps for descaling the system:

- Emptying the HU 35.
- Descaling of the HU 35.
- Rinsing the HU 35.

3.1.1 Emptying the HU 35

- 1 Switch the device off.
- 2 Disconnect the device from the power supply.
- 3 Disconnect the heat exchanger connected to the water circuit.
- 4 Disconnect the water tubes from the HU 35.
- 5 Empty the water tubes through the Hansen couplings over an outflow.
- 6 Put a container under the HU 35 or place the HU 35 over an outflow or other means of drainage.
- 7 Unscrew the filler neck cap ([3]) (e.g., using a coin).



- 8 Unscrew the cap of the outflow point ([1]) to drain the water.
- 9 Tip the HU 35 backwards to an angle of 45°. Do not lose the sealing rings of the two caps.
- 10 Tip the HU 35 further back to an angle of 90° to completely empty the HU 35 unit.
- 11 Close the outflow point ([1]).
- 12 Connect the water tubes to the HU 35.
 - ▶ HU 35 is emptied.

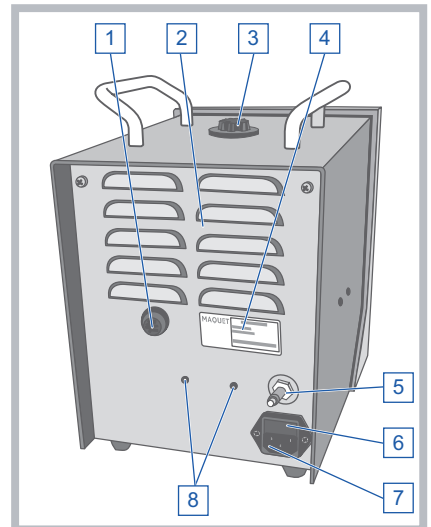
3.1.2 Descaling of the HU 35



WARNING!

Use personal protection equipment (e.g. gloves resistant to chemicals made of Nitrile rubber or Butyl caoutchouc (butyl rubber), dust mask for respiratory protection P2, goggles and a protective lab coat) according to the Safety Data Sheet for the disinfectant/descaling agent.

- 1 Connect the open hose ends to the cleaning connector supplied.
- 2 Produce a citric acid solution:
When connecting hoses measuring 2 x 1.5 m to the HU 35: Use a powder funnel to put 30 g of citric acid into a chemical-resistant 10 liter canister with watertight lid. Add 1.5 liters of sterile, filtered, warm water (approx. +35°C). Close the canister, check that it is leak-tight and dissolve the citric acid by shaking.
Or
When connecting hoses measuring 2 x 3 m to the HU 35: Use a powder funnel to put 34 g of citric acid into a chemical-resistant 10 liter canister with watertight lid. Add 1.7 liters of sterile, filtered, warm water (approx. +35°C). Close the canister, check that it is leak-tight and dissolve the citric acid by shaking.
- 3 Fill the citric acid solution up to the maximum mark on the tank's water level indicator.
- 4 Close the cap on the filler neck ([3]) (e.g., using a coin).



- 5 Connect the device to the power supply.
- 6 Switch on the device.
- 7 Run the HU 35 for approx. 20 minutes.

- ▶ The hoses are filled with citric acid solution.
- 8 When connecting hoses measuring 2 x 3 m to the HU 35:
Switch off the device.
Unscrew the cap on the filler neck ([3]) (e.g., using a coin).
Fill the device with the remaining citric acid solution up to the maximum mark on the water level indicator.
Close the cap on the filler neck ([3]) (e.g., using a coin).
Switch on the device.
 - 9 Set the setpoint temperature to +38 °C.
 - 10 Run the HU 35 for 60 minutes.
 - 11 Switch off the device.
 - 12 Disconnect the device from the mains.
 - 13 Empty the HU 35.

NOTE

Use a suitable drain for disposing of the disinfection/DESCALING agent solutions.

- ▶ Descaling of the HU 35 is now complete.
- ▶ The HU 35 is now empty.

3.1.3 Rinsing the HU 35

- 1 Disconnect the cleaning connector and disinfect it and the Hansen couplings.
- 2 Connect the open hose ends to the cleaning connector supplied.
- 3 Fill the HU 35 with sterile filtered water up to the maximum mark on the water level indicator.
- 4 Connect the device to the power supply.
- 5 Close the cap on the filler neck (e.g., using a coin).
- 6 Switch on the device.
- 7 Set the setpoint temperature to +37°C.
- 8 Run the HU 35 for 3 minutes.
- 9 Switch off the device.
- 10 Disconnect the device from the mains.
- 11 Empty the HU 35.

NOTE

Use a suitable drain for disposing of the disinfection/DESCALING agent solutions.

- 12 Repeat the rinsed steps outlined above twice so that the HU 35 is rinsed a total of **three times**.
- 13 Fill the HU 35 with sterile filtered water up to the maximum mark on the water level indicator.

EN

- 14 Close the cap on the filler neck (e.g., using a coin).
 - ▶ The HU 35 has now been rinsed.

3.2 Disinfection Process for HU 35

If the HU 35 is used regularly, disinfection must be performed every 7 days as well as after each use with 2% Chloramine-T in the water system of the HU 35.

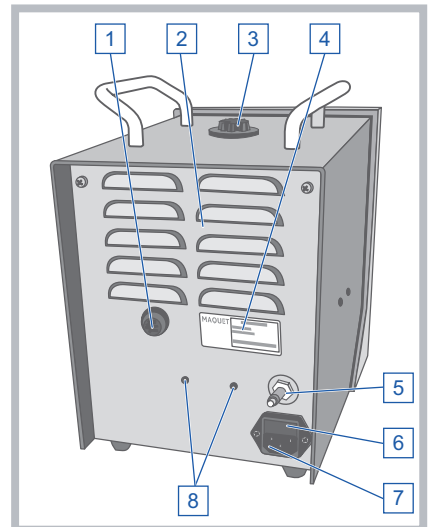
Perform the following steps for disinfection:

- Empty the HU 35.
- Disinfect the HU 35.
- Rinse of the HU 35

If there are atypical *mycobacteria* in the water system, a 5% Chloramine-T concentration must be used in the entire water volume of the HU 35. Special, highly effective disinfection and biofilm removal with 5% Chloramine-T are described under ⇒ "High Level Disinfection and Biofilm Removal Process for HU 35", page 23.

3.2.1 Emptying the HU 35

- 1 Switch the device off.
- 2 Disconnect the device from the power supply.
- 3 Disconnect the heat exchanger connected to the water circuit.
- 4 Disconnect the water tubes from the HU 35.
- 5 Empty the water tubes through the Hansen couplings over an outflow.
- 6 Put a container under the HU 35 or place the HU 35 over an outflow or other means of drainage.
- 7 Unscrew the filler neck cap ([3]) (e.g., using a coin).



- 8 Unscrew the cap of the outflow point ([1]) to drain the water.
- 9 Tip the HU 35 backwards to an angle of 45°. Do not lose the sealing rings of the two caps.

- 10 Tip the HU 35 further back to an angle of 90° to completely empty the HU 35 unit.
- 11 Close the outflow point ([1]).
- 12 Connect the water tubes to the HU 35.
 - ▶ HU 35 is emptied.

3.2.2 Disinfection of the HU 35



WARNING!

Use personal protection equipment (e.g. gloves resistant to chemicals made of Nitrile rubber or Butyl caoutchouc (butyl rubber), dust mask for respiratory protection P2, goggles and a protective lab coat) according to the Safety Data Sheet for the disinfectant/descaling agent.

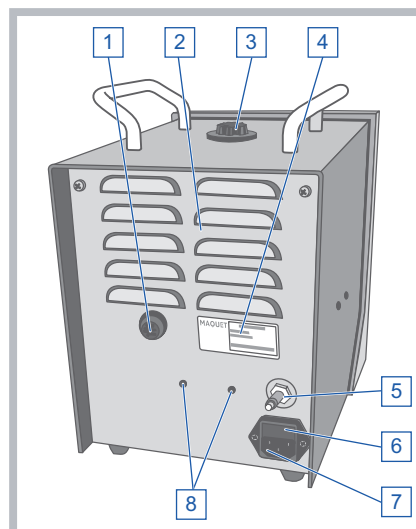
- 1 Connect the open hose ends to the cleaning connector supplied.
- 2 Create a Chloramine-T solution.

When connecting hoses measuring 2 x 1.5 m to the HU 35: Use a powder funnel to put 30 g of Chloramine-T into a chemical-resistant 10 liter canister with watertight lid. Add 1.5 liters of sterile, filtered, warm water (approx. +35°C). Close the canister, check that it is leak-tight and dissolve the Chloramine-T by shaking.

Or

When connecting hoses measuring 2 x 3 m to the HU 35: Use a powder funnel to put 34 g of Chloramine-T into a chemical-resistant 10 liter canister with watertight lid. Add 1.7 liters of sterile, filtered, warm water (approx. +35°C). Close the canister, check that it is leak-tight and dissolve the Chloramine-T by shaking.
- 3 Fill the Chloramine-T solution up to the maximum mark on the tank's water level indicator.

- 4 Close the cap on the filler neck ([3]) (e.g., using a coin).



- 5 Connect the device to the power supply.
- 6 Switch on the device.
- 7 Run the HU 35 for approx. 20 minutes.
 - ▶ The hoses are filled with Chloramine-T solution.
- 8 When connecting hoses measuring 2 x 3 m to the HU 35:
 - Switch off the device.
 - Unscrew the cap on the filler neck ([3]) (e.g., using a coin).
 - Fill the device with the remaining Chloramine-T solution up to the maximum mark on the water level indicator.
 - Close the cap on the filler neck ([3]) (e.g., using a coin).
 - Switch on the device.
- 9 Set the setpoint temperature to +38 °C.
- 10 Run the HU 35 for 90 minutes.
- 11 Switch off the device.
- 12 Disconnect the device from the mains.
- 13 Empty the HU 35.

NOTE

Use a suitable drain for disposing of the disinfection/descaling agent solutions.

- ▶ Disinfection of the HU 35 is now complete.
- ▶ The HU 35 is now empty.

3.2.3 Rinsing the HU 35

- 1 Disconnect the cleaning connector and disinfect it and the Hansen couplings.
- 2 Connect the open hose ends to the cleaning connector supplied.

- 3 Fill the HU 35 with sterile filtered water up to the maximum mark on the water level indicator.
- 4 Connect the device to the power supply.
- 5 Close the cap on the filler neck (e.g., using a coin).
- 6 Switch on the device.
- 7 Set the setpoint temperature to +37°C.
- 8 Run the HU 35 for 3 minutes.
- 9 Switch off the device.
- 10 Disconnect the device from the mains.
- 11 Empty the HU 35.

NOTE

Use a suitable drain for disposing of the disinfection/descaling agent solutions.

- 12 Repeat the rinsed steps outlined above twice so that the HU 35 is rinsed a total of **three times**.
- 13 Fill the HU 35 with sterile filtered water up to the maximum mark on the water level indicator.
- 14 Close the cap on the filler neck (e.g., using a coin).
 - ▶ The HU 35 has now been rinsed.

3.3 High Level Disinfection and Biofilm Removal Process for HU 35

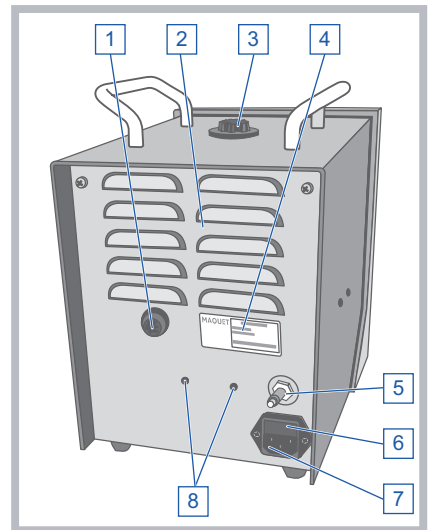
If atypical *Mycobacteria* are present in the water system, a concentration of 5% Chloramine-T in the complete water volume of the HU 35 must be used for the special high level disinfection and biofilm removal. This process requires 24 hours contact time with Chloramine-T.

Perform the following steps for high level disinfection and biofilm removal:

- Emptying the HU 35.
- High Level Disinfection of the HU 35.
- Rinsing the HU 35.

3.3.1 Emptying the HU 35

- 1 Switch the device off.
- 2 Disconnect the device from the power supply.
- 3 Disconnect the heat exchanger connected to the water circuit.
- 4 Disconnect the water tubes from the HU 35.
- 5 Empty the water tubes through the Hansen couplings over an outflow.
- 6 Put a container under the HU 35 or place the HU 35 over an outflow or other means of drainage.
- 7 Unscrew the filler neck cap ([3]) (e.g., using a coin).



- 8 Unscrew the cap of the outflow point ([1]) to drain the water.
- 9 Tip the HU 35 backwards to an angle of 45°. Do not lose the sealing rings of the two caps.
- 10 Tip the HU 35 further back to an angle of 90° to completely empty the HU 35 unit.
- 11 Close the outflow point ([1]).
- 12 Connect the water tubes to the HU 35.

- ▶ HU 35 is emptied.

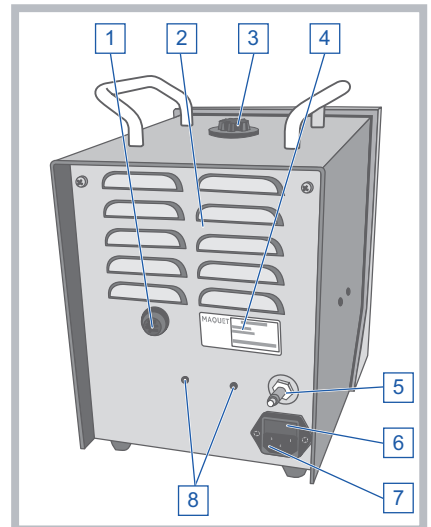
3.3.2 High Level Disinfection of the HU 35



WARNING!

Use personal protection equipment (e.g. gloves resistant to chemicals made of Nitrile rubber or Butyl caoutchouc (butyl rubber), dust mask for respiratory protection P2, goggles and a protective lab coat) according to the Safety Data Sheet for the disinfectant/descaling agent.

- 1 Connect the open hose ends to the cleaning connector supplied.
- 2 Create a Chloramine-T solution.
When connecting hoses measuring 2 x 1.5 m to the HU 35: Use a powder funnel to put 75 g of Chloramine-T into a chemical-resistant 10 liter canister with watertight lid. Add 1.5 liters of sterile, filtered, warm water (approx. +35°C). Close the canister, check that it is leak-tight and dissolve the Chloramine-T by shaking.
Or
When connecting hoses measuring 2 x 3 m to the HU 35: Use a powder funnel to put 85 g of Chloramine-T into a chemical-resistant 10 liter canister with watertight lid. Add 1.7 liters of sterile, filtered, warm water (approx. +35°C). Close the canister, check that it is leak-tight and dissolve the Chloramine-T by shaking.
- 3 Fill the Chloramine-T solution up to the maximum mark on the tank's water level indicator.
- 4 Close the cap on the filler neck ([3]) (e.g., using a coin).



- 5 Connect the device to the power supply.
- 6 Switch on the device.

- 7 Run the HU 35 for approx. 20 minutes.
 - ▶ The hoses are filled with Chloramine-T solution.
- 8 When connecting hoses measuring 2 x 3 m to the HU 35:
Switch off the device.
Unscrew the cap on the filler neck ([3]) (e.g., using a coin).
Fill the device with the remaining Chloramine-T solution up to the maximum mark on the water level indicator.
Close the cap on the filler neck ([3]) (e.g., using a coin).
Switch on the device.
- 9 Set the setpoint temperature to +38 °C.
- 10 Run the HU 35 for 90 minutes.
- 11 Switch off the device.
- 12 Disconnect the device from the mains.
- 13 **Leave the Chloramine-T to work for 24 hours in the water system.**
- 14 Connect the device to the power supply.
- 15 Switch on the device.
- 16 Run the HU 35 for 5 minutes.
- 17 Switch off the device.
- 18 Disconnect the device from the mains.
- 19 Empty the HU 35.

NOTE

Use a suitable drain for disposing of the disinfection/descaling agent solutions.

- ▶ Highly effective disinfection of the HU 35 is now complete.
- ▶ The HU 35 is now empty.

3.3.3 Rinsing the HU 35

- 1 Disconnect the cleaning connector and disinfect it and the Hansen couplings.
- 2 Connect the open hose ends to the cleaning connector supplied.
- 3 Fill the HU 35 with sterile filtered water up to the maximum mark on the water level indicator.
- 4 Connect the device to the power supply.
- 5 Close the cap on the filler neck (e.g., using a coin).
- 6 Switch on the device.
- 7 Set the setpoint temperature to +37°C.
- 8 Run the HU 35 for 3 minutes.
- 9 Switch off the device.
- 10 Disconnect the device from the mains.
- 11 Empty the HU 35.

NOTE

Use a suitable drain for disposing of the disinfection/descaling agent solutions.

- 12 Repeat the rinsed steps outlined above twice so that the HU 35 is rinsed a total of **three times**.
- 13 Fill the HU 35 with sterile filtered water up to the maximum mark on the water level indicator.
- 14 Close the cap on the filler neck (e.g., using a coin).
 - ▶ The HU 35 has now been rinsed.

For local contact:

Please visit our website

www.maquet.com

MAQUET

GETINGE GROUP

Maquet Cardiopulmonary GmbH

Kehler Straße 31

76437 Rastatt

GERMANY

Phone: +49 7222 932-0

Fax: +49 7222 932-1888

info.cp@maquet.com

www.maquet.com

© Maquet Registered Trademark · Order No. 70107.1073 · MCV-GK-10000708-XX-01 · GLOBAL · 2016-09
Copyright Maquet Cardiopulmonary GmbH · We reserve the right to make technical and construction changes.

GETINGE GROUP is a leading global provider of products and systems that contribute to quality enhancement and cost efficiency within healthcare and life sciences. We operate under the three brands of ArjoHuntleigh, GETINGE and MAQUET. ArjoHuntleigh focuses on patient mobility and wound management solutions. GETINGE provides solutions for infection control within healthcare and contamination prevention within life sciences. MAQUET specializes in solutions, therapies and products for surgical interventions, interventional cardiology and intensive care.